

SIRUBA

PARTS LIST

Series

AA

Parts Group

AA

Subclass / Remark

Page

1/4

Date

2012/09/18

馬達代號	電壓規格
A900E-35	50Hz 190V-200V 60Hz 200V-219V
A900E-36	50Hz 208V-219V 60Hz 220V-240V
A900E-37	50Hz 220V-250V 60Hz 250V-270V
A900E-38	50Hz 100V 60Hz 100V-120V
A900E-39	60Hz 100V-120V 80W
A900E-40	12V
A900E-41	24V

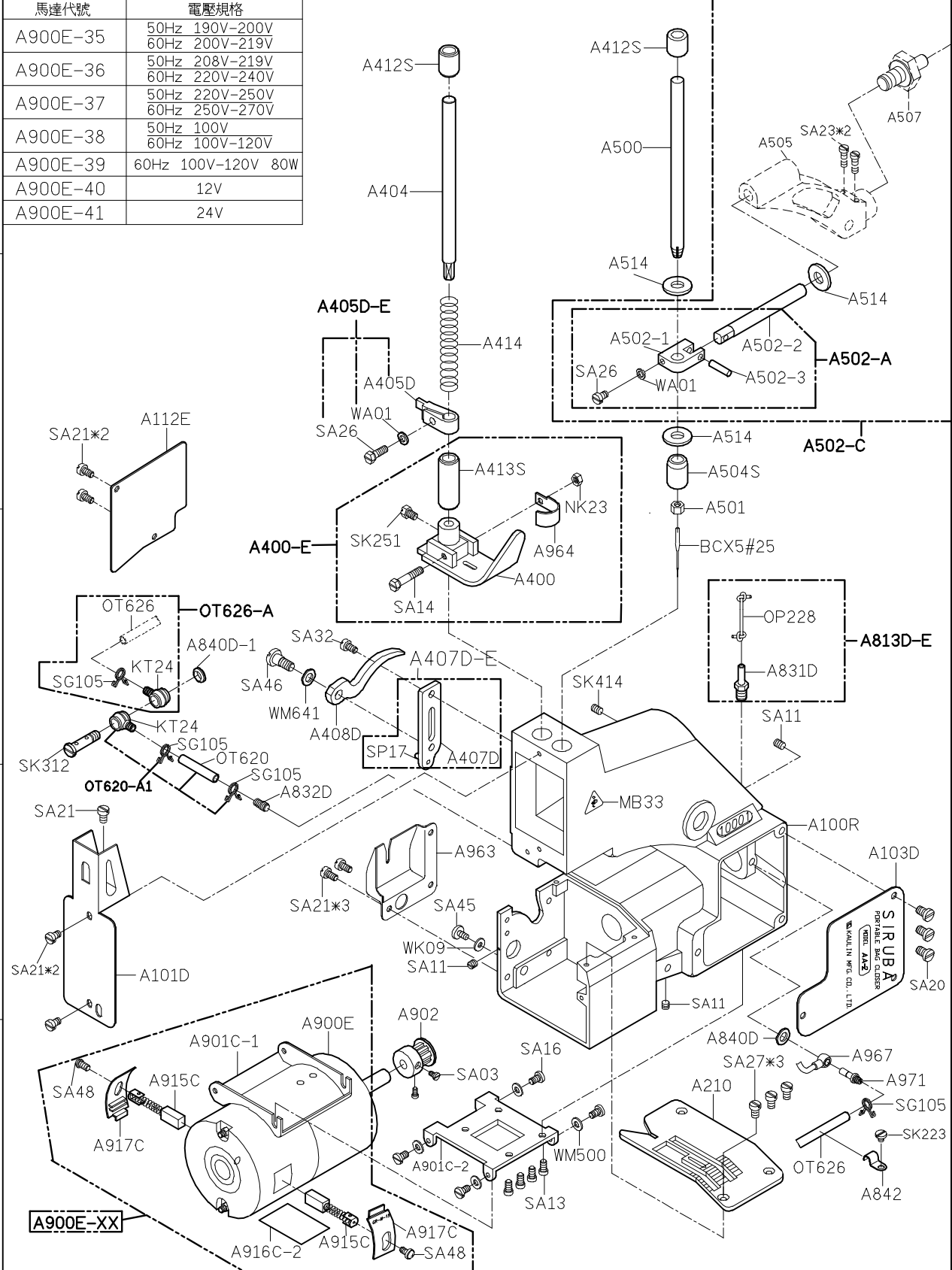
A

B

C

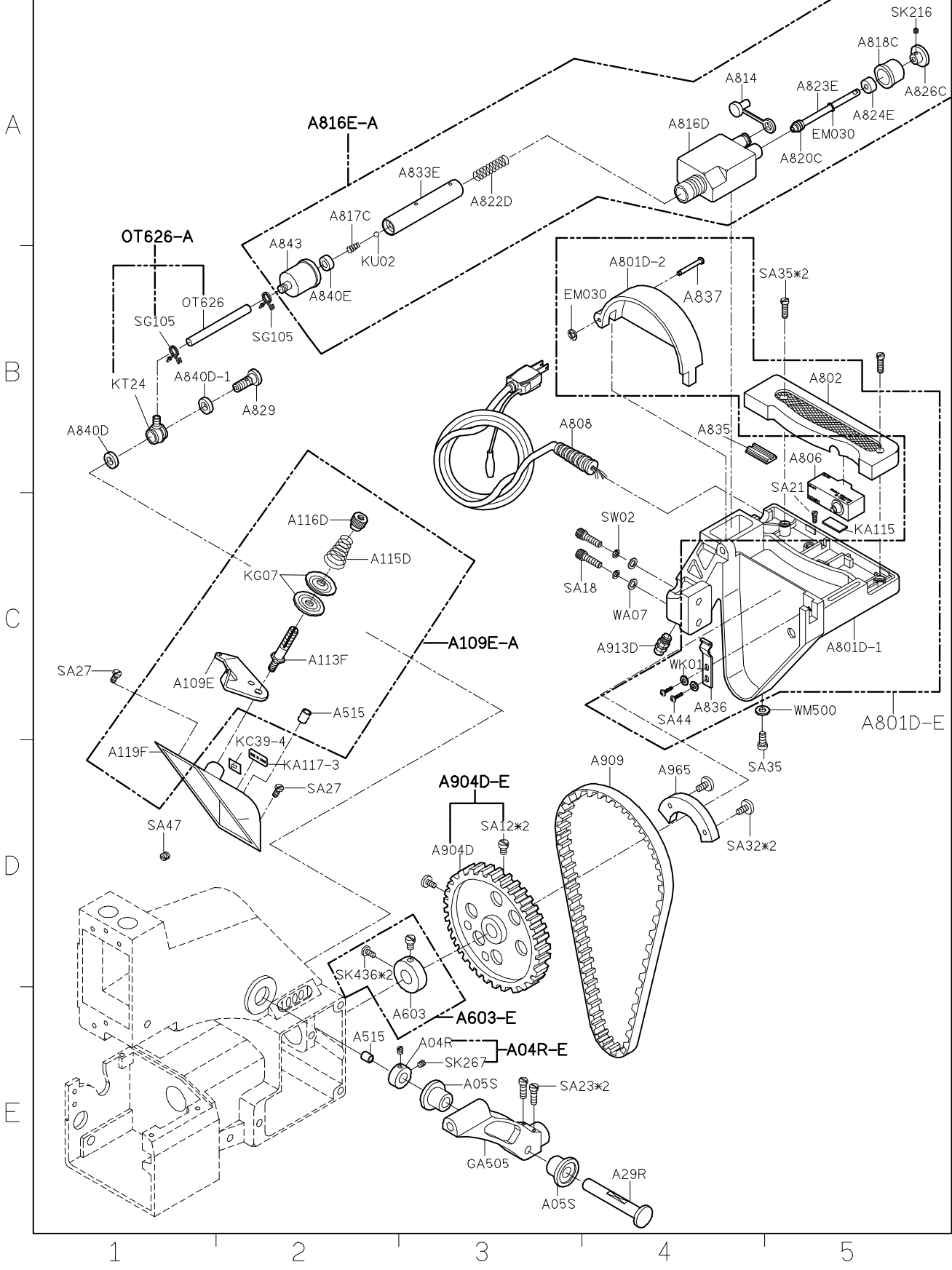
D

E

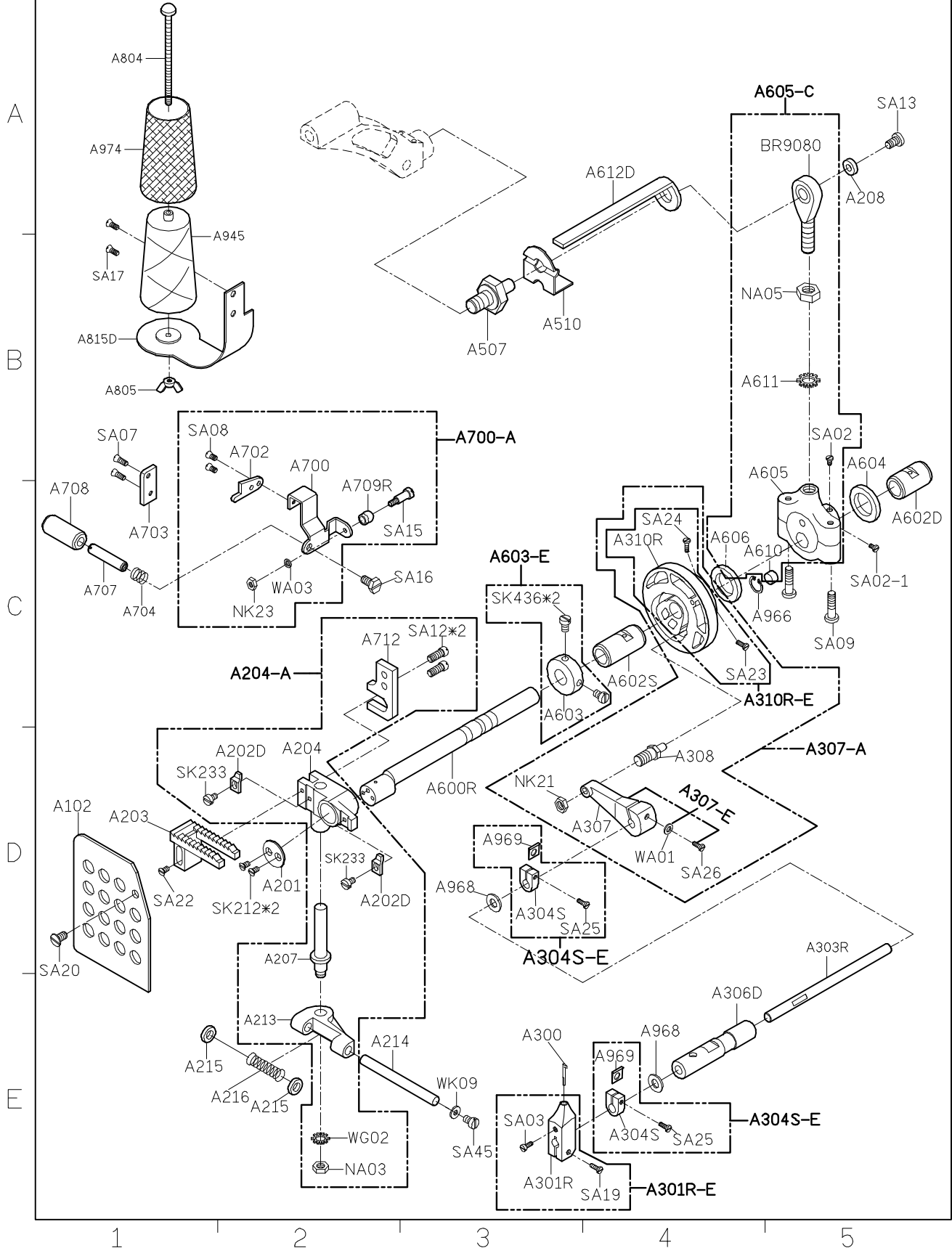


1 2 3 4 5

SIRUBA PARTS LIST	Series	Parts Group	Subclass / Remark	Page
	AA	AA		2/4
				Date
				2012/09/18

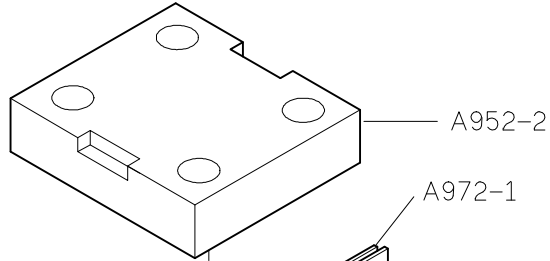


SIRUBA PARTS LIST	Series	Parts Group	Subclass / Remark	Page
	AA	AA		3/4
				Date
				2012/09/18

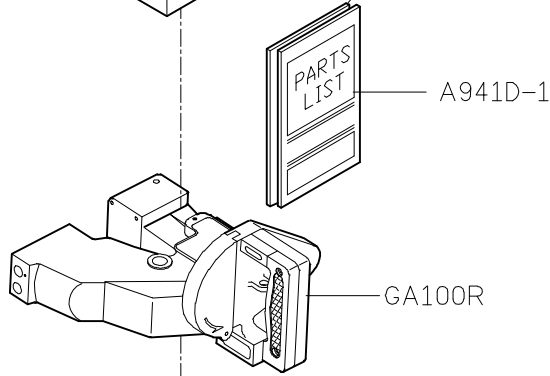


SIRUBA PARTS LIST	Series	Parts Group	Subclass / Remark	Page
	AA	AA		4/4
				Date
				2012/09/18

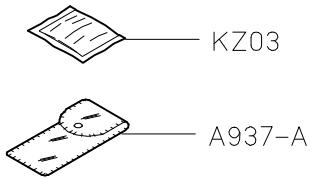
A



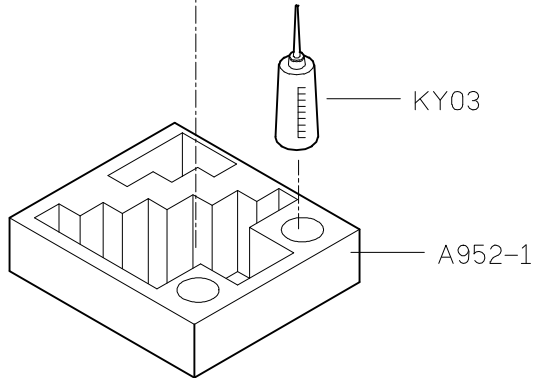
B



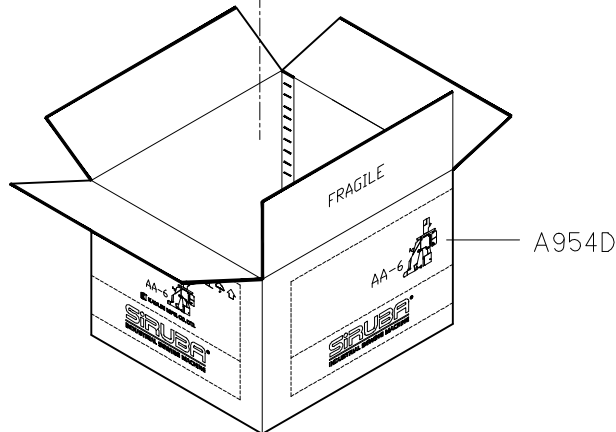
C



D



E



1

2

3

4

5